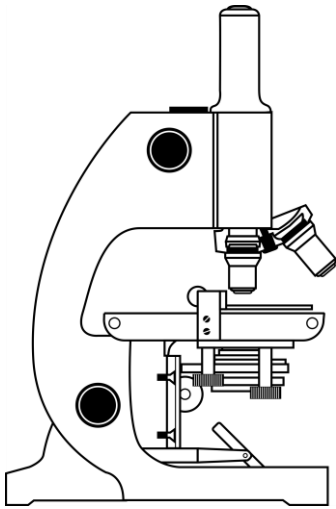


Word Bank

SCIENCE and TECHNOLOGY

Question: Which 3 inventions below do you think are most important? Why?



- A** airplane *n.*
asteroid *n.*
astronaut *n.*
astronomy *n.*
atom *n.*
atomic *adj.*
- B** biology *n.*
- C** camera *n.*
cell phone *n.*
chemical *adj.*
chemistry *n.*
clone *n., v.*
comet *n.*
computer *n.*
- D** dinosaur *n.*
- E** discover *v.*
discovery *n.*
electric *adj.*
electricity *n.*
electronic *adj.*
e-mail *n., v.*
engine *n.*
evolve *v.*
evolution *n.*
experiment *n., v.*
exploration *n.*
explore *v.*
extinct *adj.*
- F** fossil *n.*
- G** galaxy *n.*
gene *n.*
genetic *adj.*
geology *n.*
gravity *n.*
- H** high-tech *adj.*
- I** Internet *n.*
invent *v.*
invention *n.*
- L** laboratory *n.*
- M** laser *n.*
meteor *n.*
microscope *n.*
motor *n.*
- N** nuclear energy *n.*
- O** orbit *v.*
- P** physics *n.*
planet *n.*
plastic *n., adj.*
- R** radiation *n.*
radio *n.*
research *n., v.*
robot *n.*
rocket *n.*
- S** satellite *n.*
scientific *adj.*
scientist *n.*
space *n.*
spaceship *n.*
species *n.*
submarine *n.*
- T** telescope *n.*
theory *n.*
- X** x-ray *n., v.*